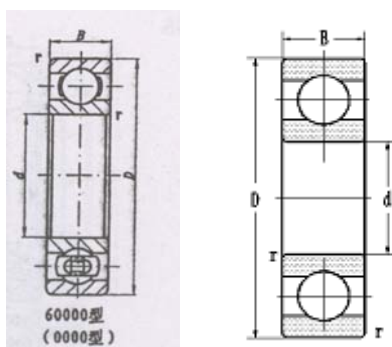


DEEP GROOVE BALL BEARINGS

The deep groove ball bearings have simple structure and easy to use, also, the application scope is broad. Such bearings are mainly used to bear the radial load, also can bear the axial load. when the radial clearance is increasing, it can have the performance of angular contact ball bearings, and can bear the larger axial load. Compare to the other bearings of the same dimensions, the friction's loss of the bearing is minimum and the limit speed is maximum. When under higher speed, the thrust ball bearings can not be used, while, the deep groove ball bearings should be adopted to bear pure axial load.

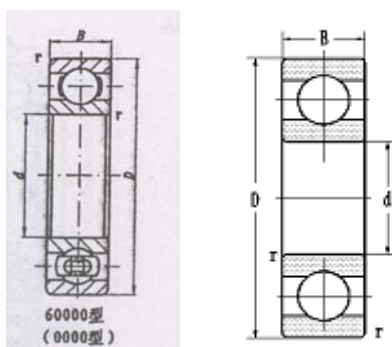
Most of the cages of deep groove ball bearing are pressed steel plate cage, but large bearings use machined solid cage.

DEEP GROOVE BALL BEARINGS d190-260mm



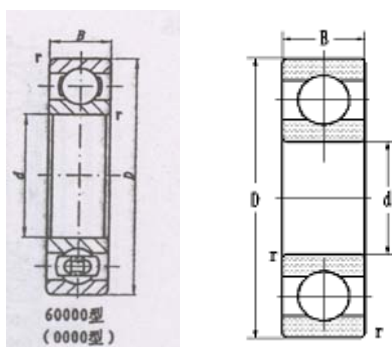
Principle dimensions	dimensions			Basic load ratings		Old spec.	Designations	Limit rotation		Weight
	d	D	B	r	min			Dyn	stc	
mm				KN				r/min		kg
190	240	24	1.5	68	88	1000838	61838	2200	2800	2.8
	260	33	2	105	120	1000938	61938	2200	2800	5.4
	290	31	2	133	154	7000138	16038	2000	2600	8
	290	55	2.1	181	194	138	6038	2000	2600	11.5
	340	46	4	269	300	238	6238	1600	2000	25.6
	400	78	5	350	400	338	6338	1500	1900	50
200	250	24	1.5	70	95	1000840	61840	2200	2800	3
	280	38	2.1	135	150	1000940	61940	2000	2600	7.5
	310	34	2	153	177	7000140	16040	1900	2400	10.4
	310	51	2.1	206	225	140	6040	1900	2400	14.4
	360	58	4	268	305	240	6240	1600	2000	27.4
	420	80	5	350	430	340	6340	1400	1800	56
220	270	24	1.5	70	100	1000844	61844	1900	2400	3.2
	300	38	2.1	136	162	1000944	61944	1900	2400	9.3
	340	37	2.1	170	202	7000144	16044	1800	2200	12.7
	340	56	3	224	265	144	6044	1800	2200	18.4
	400	65	4	311	376	244	6244	1400	1800	38.6
	460	88	5	400	500	344	6344	1300	1600	73
240	300	28	2	100	140	1000848	61848	1800	2200	4.7
	320	38	2.1	143	177	1000948	61948	1800	2200	8.36
	360	37	2.1	170	200	7000148	16048	1600	2000	15
	360	56	3	232	275	148	6048	1600	2000	26.7
	440	72	4	330	440	248	6248	1300	1600	51.5
	500	95	5	410	540	348	6348	1100	1400	93
260	320	28	2	100	135	1000852	61852	1600	2000	4.9
	360	46	2.1	210	269	1000952	61952	1500	1900	15.1
	370	46	2.1	210	270	752	752	1200	1500	17
	400	44	3	236	310	7000152	16052	1400	1800	21.5
	400	65	4	294	372	152	6052	1400	1800	28.3

DEEP GROOVE BALL BEARINGS d260-360mm



Principle dimensions	dimensions			Basic load ratings		Old spec.	Designations	Limit rotation		Weight
	d	D	B	rsmn	Dyc			stc	Grease	
mm				KN				r/min		kg
260	480	80	5	370	500	252	6252	1100	1400	66
	540	102	6	480	670	352	6352	1000	1300	116
280	350	33	2	125	180	1000856	61856	1500	1900	7.5
	380	46	2.1	216	285	1000956	61956	1400	1800	15.2
	420	44	3	230	320	7000156	16056	1400	1700	23
	420	65	4	306	405	156	6056	1400	1700	31
	500	80	5	400	550	256	6256	110	1400	71
	580	108	6	550	800	356	6356	950	1200	140
300	380	38	2.1	170	228	1000860	61860	1100	1700	10.6
	420	56	3	268	371	1000960	61960	1300	1600	221
	460	50	4	260	380	7000160	16060	1200	1500	33
	460	74	4	356	500	160	6060	1200	1500	44.7
	540	85	5	492	735	260	6260	1000	1300	85.5
320	400	38	2.1	172	236	1000864	61864	1300	1600	11.3
	412	38	2.1	180	280	864	864	1300	1600	13.5
	440	37	2.1	190	360	7000964	16964	1200	1500	17
	440	56	3	275	394	1000964	61964	1200	1500	24.9
	480	50	4	260	365	7000164	16064	1100	1400	34
	480	74	4	370	540	164	6064	1100	1400	46.7
	580	92	2	500	750	264	6264	950	1200	110
340	420	38	2.1	160	260	1000868	61868	1200	1500	12
	460	56	3	260	400	1000968	61968	1100	1400	27
	520	57	4	330	500	7000168	16068	1000	1300	45
	520	82	5	385	574	168	6068	1000	1300	65.8
	620	92	6	520	850	268	6268	900	1100	115
360	440	25	1.5	110	190	-	60872	1100	1400	7
	440	38	2.1	170	260	1000872	61872	1100	1400	13
	480	56	3	265	400	1000972	61972	1100	1400	28.5

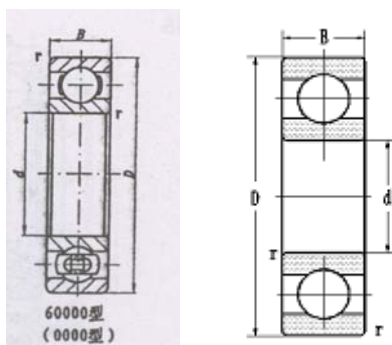
DEEP GROOVE BALL BEARINGS d360-500mm



μm

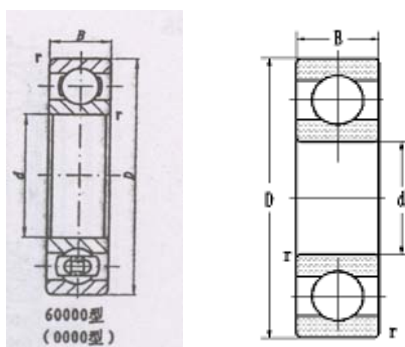
Principle dimensions	d	D	B	r	rsmin	Basic load ratings		Old spec.	Designations	Speed ratings		Weight
						Dyc	stc			Grease	oil	
mm						KN				r/min		kg
360	540	57	4			315	500	7000172	16072	1000	1300	50
	540	82	5			415	660	172	6072	1000	1300	65
380	480	46	2.1			198	287	1000876	61876	1000	1300	21.5
	520	65	4			353	550	1000976	61976	1000	1300	38.5
	560	57	4			340	560	7000176	16076	950	1200	52
	560	82	5			420	680	176	6076	950	1200	69
400	500	31	2			150	255	-	60880	1000	1300	17
	500	46	2.1			225	365	1000880	61880	1000	1300	22
	540	44	3			240	400	-	60980	950	1200	29
	540	65	4			354	576	1000980	61980	950	1200	43.6
	600	90	5			492	810	180	6080	900	1100	81
420	520	46	2.1			230	385	1000884	61884	950	1200	23
	560	65	4			320	540	1000984	61984	900	1100	45
	620	90	5			460	800	184	6084	900	1100	94
440	540	31	2			145	265	-	60888	900	1100	18
	540	46	2.1			230	400	1000888	61888	900	1100	24
	600	74	d			370	650	1000988	61988	900	1100	63
	650	94	6			500	870	188	6088	800	1000	110
460	580	56	3			304	508	1000892	61892	900	1100	35.6
	620	74	4			400	710	1000992	61992	800	1000	63
	680	100	6			550	1000	192	6092	750	950	125
480	600	56	3			300	550	1000896	61896	800	1000	37
	650	78	5			420	770	1000996	61996	750	950	75
	700	100	6			580	1050	196	6096	700	900	128
500	620	37	2.1			210	410	-	608/500	750	950	21
	620	56	3			312	533	10008/500	618/500	750	950	37.8

DEEP GROOVE BALL BEARINGS d500-710mm



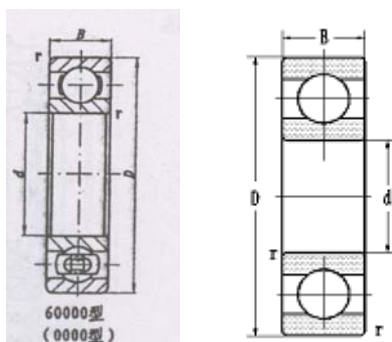
Principle dimensions		Basic load ratings		Old spec.	Designations	Speed ratings		Weight		
d	D	B	rs			Dyn	stc		Grease	oil
mm				KN			r/min		kg	
500	670	78	5	445	806	10009/500	619/500	700	900	82
	720	100	6	558	1058	1/500	60/500	700	900	138
530	650	56	3	300	620	10008/530	618/530	700	900	40
	710	57	4	400	770	-	609/530	670	850	62
	710	82	5	460	880	10009/530	619/530	670	850	92
	780	112	6	610	1200	1/530	60/530	700	800	190
560	680	37	2.1	210	440	-	608/560	670	850	31
	680	56	3	325	650	10008/560	618/560	670	850	43
	750	85	5	465	925	10009/560	619/560	630	800	108
	820	15	6	625	1390	1/560	60/560	600	750	212
600	730	42	3	250	520	-	608/600	630	800	41
	730	60	3	340	720	10008/600	618/600	630	800	53
	800	90	5	550	1150	10009/600	619/600	600	750	126
	870	115	6	690	1420	1/600	60/600	560	700	232
630	780	48	3	340	720	-	608/630	600	750	42
	780	69	4	415	915	10008/630	618/630	600	750	74
	850	71	5	460	1000	-	609/630	560	700	112
	850	100	6	590	1260	10009/630	619/630	560	700	162
	920	128	7.5	770	1660	1/630	60/630	530	670	287
670	820	69	4	445	911	10008/670	618/670	530	670	81.6
	900	73	5	520	1150	-	609/670	500	630	148
	900	103	6	640	1420	10009/670	619/670	500	630	188
	980	136	7.5	850	1900	1/670	60/670	480	600	348
710	870	74	4	440	1000	10008/710	618/710	500	630	95
	950	78	5	510	1200	10009/710	609/710	480	600	152
	950	106	6	620	1400	-	610/710	480	600	223
	1030	140	7.5	880	2000	1/710	60/710	450	560	380

DEEP GROOVE BALL BEARINGS d750-1120mm



Principle dimensions d D B rsmin	Basic load ratings		Old spec.	Designations	Speed ratings		Weight
	Dyc Cr	stc Cor			Grease	oil	
mm	KN				r/min	kg	
750	920	78 5	500 1067	10008/750	618/750	480 600	113
	1000	112 6	700 1670	10009/750	619/750	450 560	260
	1090	150 7.5	920 2150	1/750	60/750	430 530	490
800	980	57 4	370 920	-	608/800	430 530	103
	980	82 5	510 1250	10008/800	618/800	430 530	135
	1060	115 6	765 1870	10009/800	619/800	400 500	280
	1150	155 7.5	920 2300	1/800	60/800	380 480	540
850	1030	57 4	365 930	-	608/850	400 500	78
	1030	82 5	510 1300	10008/850	618/850	400 500	145
	1120	118 6	765 1940	10009/850	619/850	380 480	315
	1220	165 7.5	1030 2650	1/850	60/850	340 430	635
900	1090	85 5	565 1450	10008/900	618/900	340 430	163
	1180	122 6	780 2050	10009/900	619/900	320 400	355
	1280	170 7.5	1040 2800	1/900	60/900	300 380	725
950	1150	90 5	585 1560	10008/950	618/950	- -	195
	1250	132 7.5	925 2520	10009/950	619/950	- -	395
	1360	180 7.5	1070 2930	1/950	60/950	- -	870
1000	1220	71 5	505 1410	-	608/1000	- -	180
	1220	1000 6	585 1620	10008/1000	618/1000	- -	250
	1320	103 6	750 2125	-	609/1000	- -	415
	1320	140 7.5	925 2520	10009/1000	619/1000	- -	520
	1420	185 7.5	1240 3510	1/1000	60/1000	- -	940
1060	1280	100 6	730 1910	10008/1060	618/1060	- -	265
	1400	150 7.5	930 2700	10009/1060	619/1060	- -	630
	1500	195 9.5	1250 3510	1/1060	60/1060	- -	1100
1120	1360	106 6	685 1980	10008/1120	618/11120	- -	320

DEEP GROOVE BALL BEARINGS d1200-1900mm



Principle d	dimensions			Basic load ratings		Old spec.	Designations	Speed ratings		Weight
	D	B	rsmn	Dyc Cr	stc Cor			Grease	oil	
mm				KN				r/min	kg	
1120	1460	150	7.5	960	2790	10009/1120	619/1120	-	-	660
	1580	200	9.5	1350	3960	1/1120	60/1120	-	-	1270
1180	1420	106	6	700	2120	10008/1180	618/1180	-	-	332
	1540	160	7.5	1050	3240	10009/1180	619/1180	-	-	780
	1660	212	9.5	1710	4680	1/1180	60/1180	-	-	1420
1250	1500	112	6	785	2475	10008/1250	618/1250	-	-	390
	1630	170	7.5	1290	3510	10009/1250	619/1250	-	-	925
	1750	218	9.5	1840	5040	1/1250	60/1250	-	-	1620
1320	1600	122	6	880	2835	10008/1320	618/1320	-	-	510
	1720	128	7.5	1110	3650	-	609/1320	-	-	840
	1720	175	7.5	1410	4050	10009/1320	619/1320	-	-	1060
	1850	230	12	1950	5580	1/1320	60/1320	-	-	1900
1400	1700	132	7.5	1030	3600	10008/1400	618/1400	-	-	620
	1820	185	9.5	1465	4950	10009/1400	619/1400	-	-	1260
	1950	243	12	2135	6260	1/1400	60/1400	-	-	2190
1500	1820	140	7.5	1120	3960	10008/1500	618/1500	-	-	750
	1950	195	9.5	1580	490	10009/1500	619/1500	-	-	1520
	2120	272	12	2400	7340	1/1500	60/1500	-	-	3000
1600	1950	155	7.5	1170	4320	10008/1600	618/1600	-	-	970
	2060	200	9.5	1715	6260	10009/1600	619/1600	-	-	1660
	2240	280	12	2580	8240	1/1600	60/1600	-	-	3390
1700	2060	160	7.5	1170	4410	10008/1700	618/1700	-	-	1120
	2180	212	9.5	1830	6885	10009/1700	619/1700	-	-	1980
	2360	290	15	2670	8850	1/1700	60/1700	-	-	3800
1800	2300	218	12	2025	6750	10009/1800	619/1800	-	-	2200
	2500	308	15	3080	10600	1/1800	60/1800	-	-	4550
1900	2430	230	12	2210	7785	10009/1900	619/1900	-	-	2600